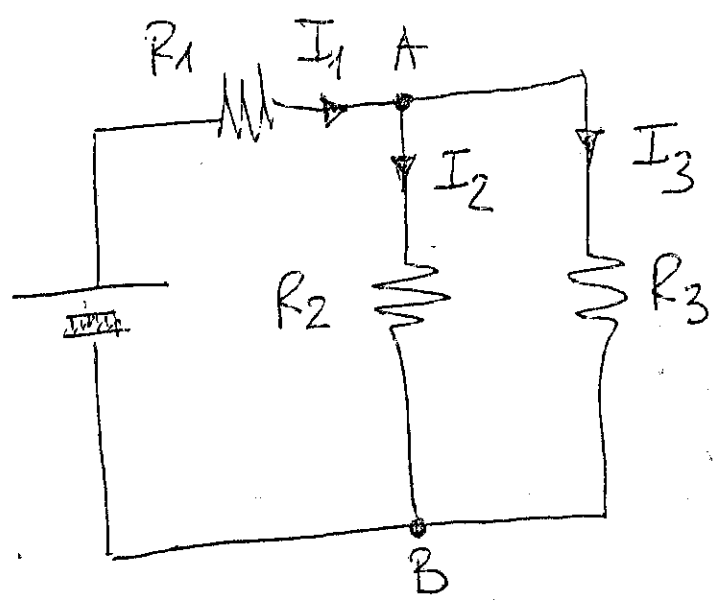


DATO IL SEGUENTE CIRCUITO

2



DATI

$R_1 = 5 \text{ k}\Omega$
 $R_2 = 10 \text{ k}\Omega$
 $R_3 = 10 \text{ k}\Omega$
 $E = 10 \text{ V}$

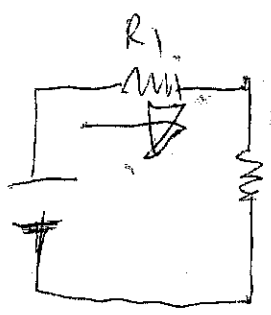
DETERMINARE:

la grandezza I_3

$R = V$

$V = R \times I$

$I = V / R$



My job is a long distance from my home, almost 50 miles away. I have to wake up early every morning, as I'm always in a rush. There's never enough time for a relaxed breakfast. At exactly 6:00 AM, I get into my car and start the long drive.

2

N° 2